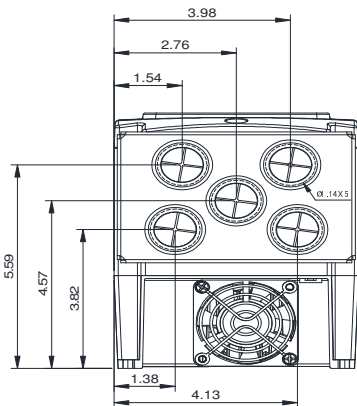
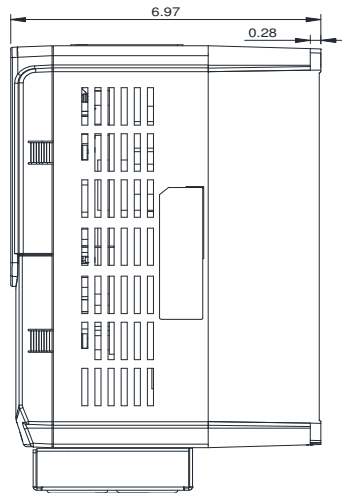
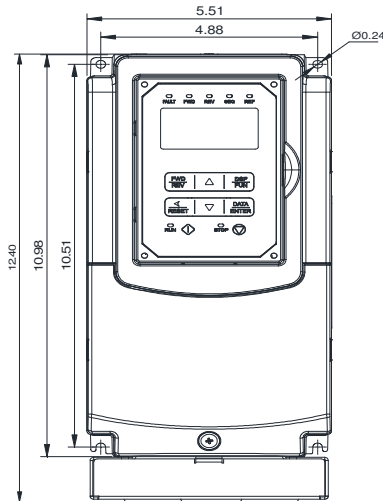


GENERAL DATASHEET VARIABLE SPEED DRIVE

Series A510				MODEL# A510-2003-C-UE		
ISSUED 12/30/2019				ENCLOSURE/ FRAME NEMA 1 (IP20) / F2		
SINGLE PHASE INPUT AMPS				AC INPUT VOLTAGE	AC INPUT FREQUENCY	AC INPUT PHASE
HD (CT)	ND (VT)					
20.3	22.1			200-240	50/60	1/3
THREE PHASE INPUT AMPS						
HD (CT)		ND (VT)				
11.7		12.8				
OUTPUT HP		OUTPUT AMPS		AC OUTPUT VOLTAGE	AC OUTPUT FREQUENCY	AC OUTPUT PHASE
HD (CT)	ND (VT)	HD (CT)	ND (VT)			
3	3	11	12	0-240	0-599	3



Approved By:	Brian Smith	Drawing No:	A510-230-003-F2	Revision: 1
--------------	-------------	-------------	-----------------	-------------